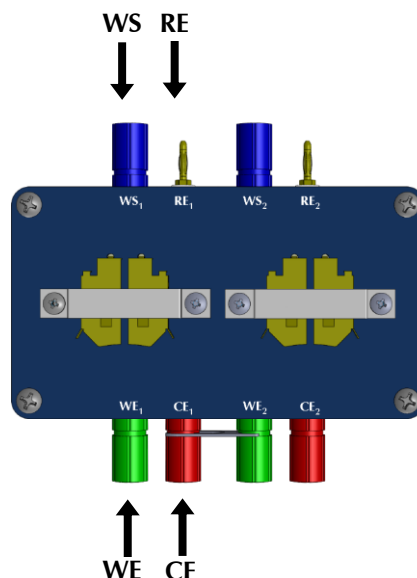


Instruction sheet for Battery Holders

Gamry Instruments' 18650 (P/N 992-00112) and CR2032 (P/N 992-00113) battery holders allow measurements on single batteries or two cells in series.

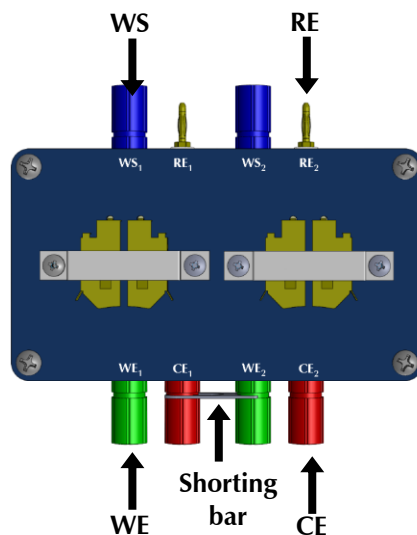
For single-cell measurements, the descriptions on the battery holder indicate connections.



For series measurements, a shorting bar is provided to connect both batteries. The figure on the right shows how to connect the cell leads of a potentiostat to the battery holder.

1. Connect CE₁ and WE₂ of the battery holder with a shorting bar.
2. Connect the working lead (green) of the potentiostat to WE₁ and the counter lead (red) to CE₂.
3. Connect the working sense lead (blue) to WS₁ and the reference lead (white) to RE₂.

The shorting bar leads to an additional impedance in your system. EIS spectra can be corrected when measuring the impedance between CE₁ and WE₂ connected by a shorting bar. Afterwards, it can be easily subtracted from any EIS spectrum in the Echem Analyst™ software.



Other Potentiostats

The battery holders may be connected to potentiostats made by other manufacturers, but ensure that you follow the manufacturer's guidelines for connecting current-carrying cables (counter and working) as well as the sense leads (reference and working sense). Their color-coding of the cables may not follow our scheme.